

---

## KCB2B002B000000V0W (ORDER NO. 052917)

### Series KC...

- ▶ Screw terminal
- ▶ 2 actuating directions
- ▶ Interlocking in switch position 0 (V0)
- ▶ Bellows for panel mounting (W)

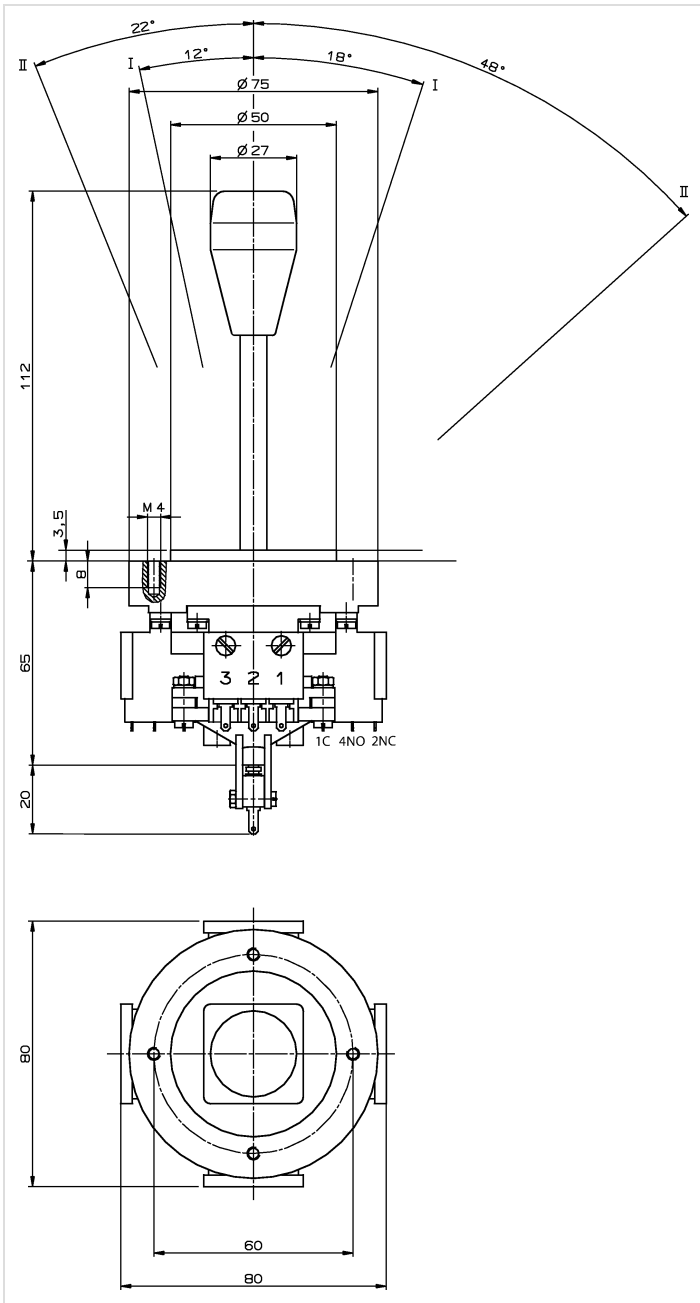


### Description

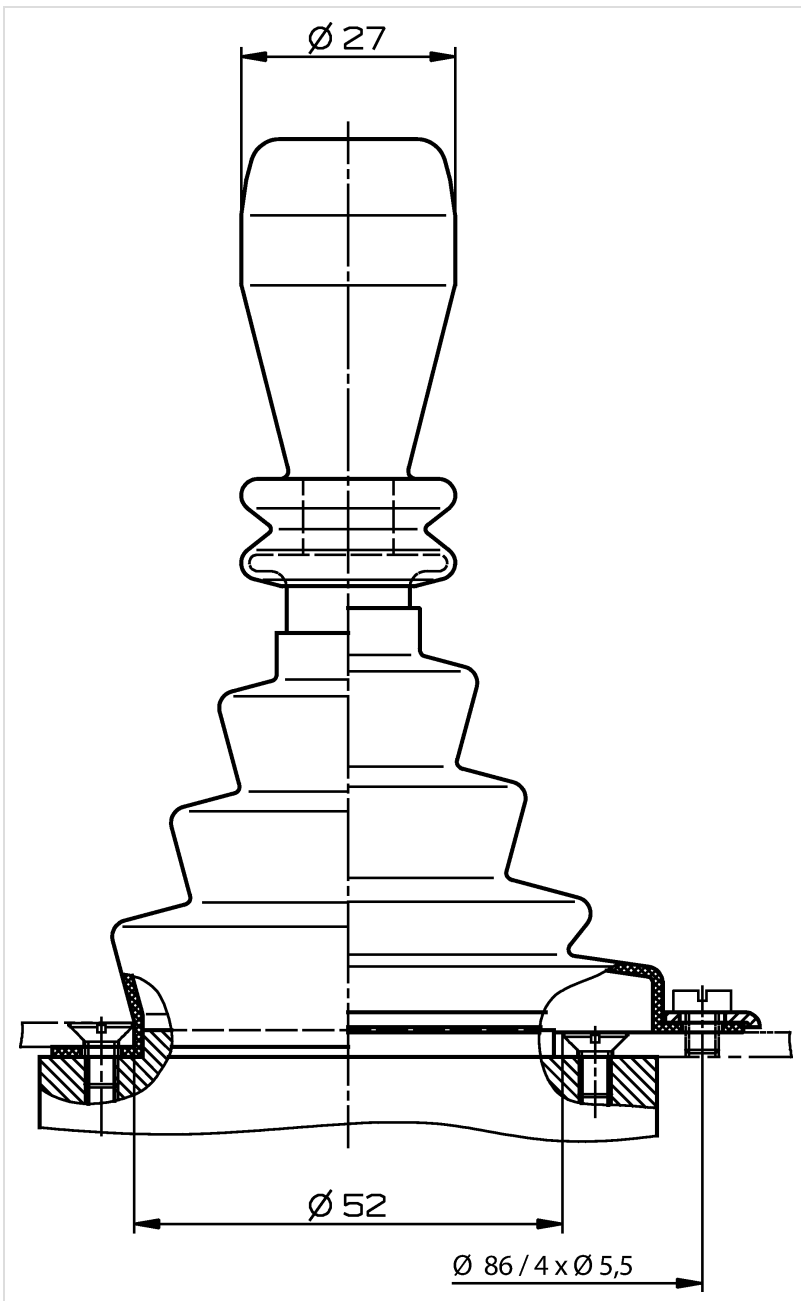
### Function drawings

|          |   | 0 | I | II |          |   | 0 | I | II |
|----------|---|---|---|----|----------|---|---|---|----|
| <b>A</b> | 1 |   |   |    | <b>F</b> | 1 |   |   |    |
|          | 2 |   |   |    |          | 2 |   |   |    |
|          | 3 |   |   |    |          | 3 |   |   |    |
| <b>B</b> | 1 |   |   |    | <b>G</b> | 1 |   |   |    |
|          | 2 |   |   |    |          | 2 |   |   |    |
|          | 3 |   |   |    |          | 3 |   |   |    |
| <b>C</b> | 1 |   |   |    | <b>H</b> | 1 |   |   |    |
|          | 2 |   |   |    |          | 2 |   |   |    |
|          | 3 |   |   |    |          | 3 |   |   |    |
| <b>D</b> | 1 |   |   |    | <b>K</b> | 1 |   |   |    |
|          | 2 |   |   |    |          | 2 |   |   |    |
|          | 3 |   |   |    |          | 3 |   |   |    |
| <b>E</b> | 1 |   |   |    |          |   |   |   |    |
|          | 2 |   |   |    |          |   |   |   |    |
|          | 3 |   |   |    |          |   |   |   |    |

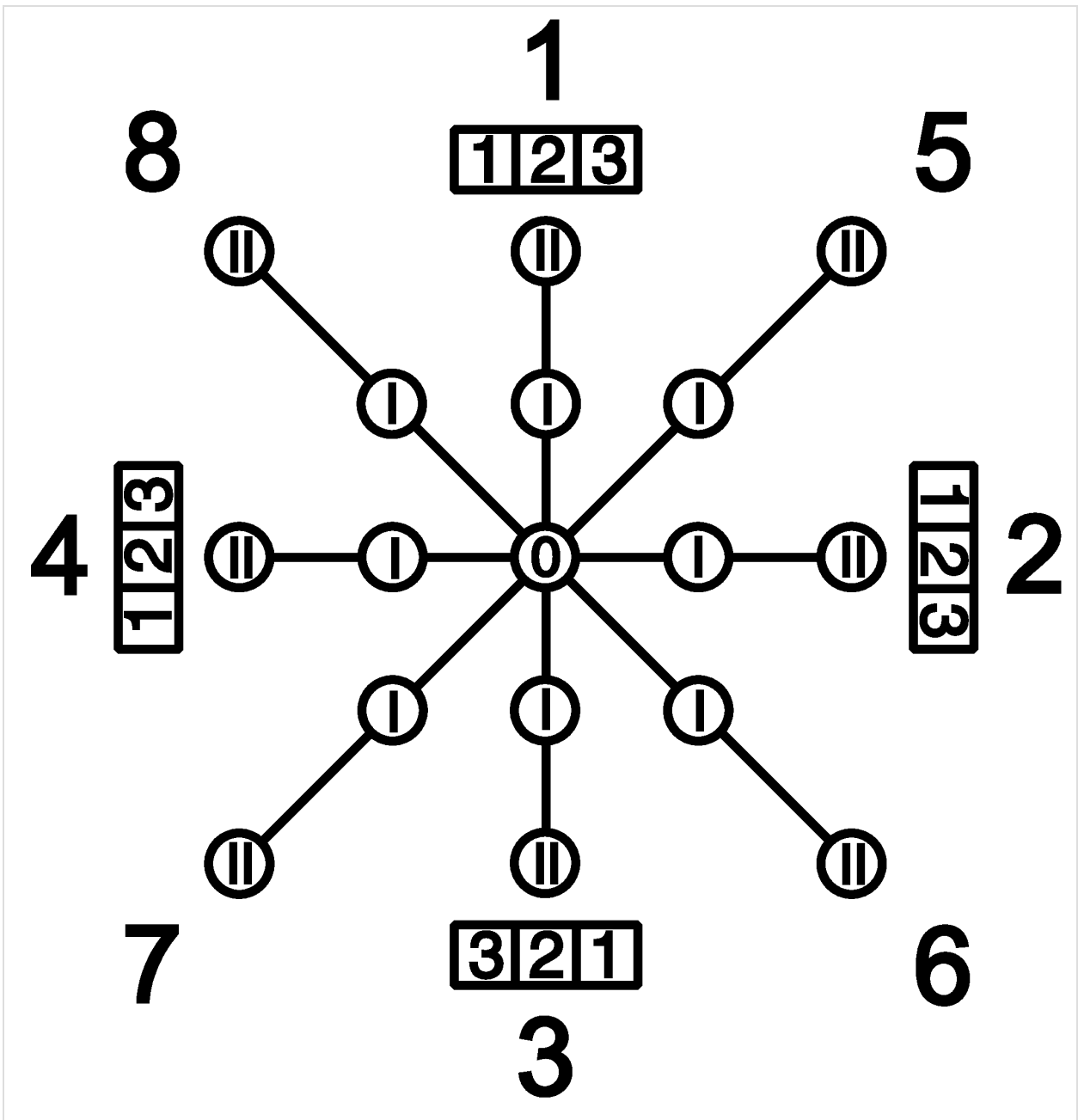
Dimension drawings



Dimension drawings

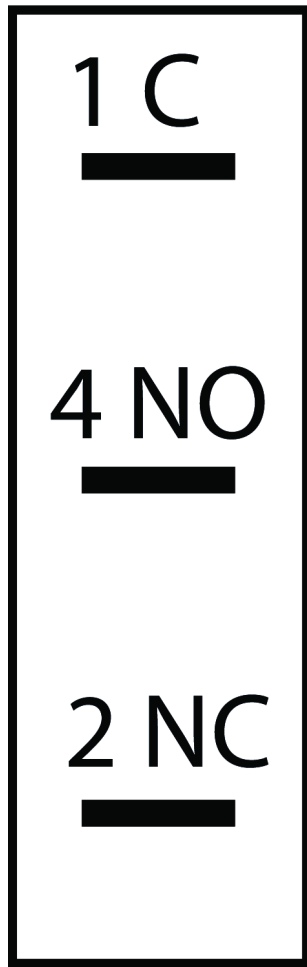


Connection examples



Connection examples

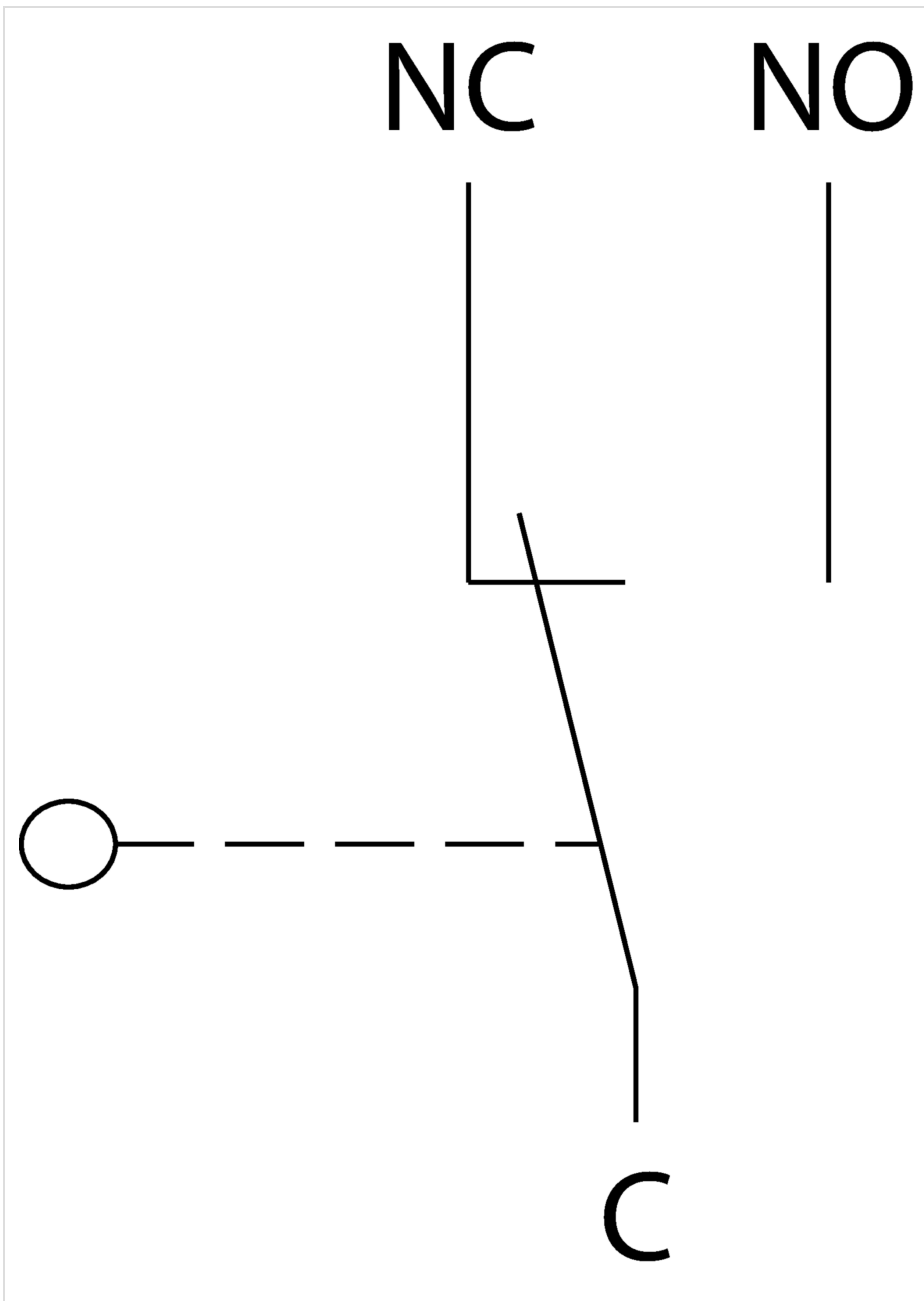
ES 587



ES 556



Connection examples



## Technical data

### Approvals



### Electrical connection ratings

|                                                   |                     |
|---------------------------------------------------|---------------------|
| Rated impulse withstand voltage $U_{imp}$         | 2.5 kV              |
| Rated insulation voltage $U_i$                    | 250 V               |
| Short circuit protection according to IEC 60269-1 | T6/F10              |
| Switching current                                 |                     |
|                                                   | (at 24V) min. 12 mA |
| Switching voltage                                 | min. 10 V           |
| Utilization category                              |                     |
|                                                   | AC-15 230V 4A       |
|                                                   | DC-13 24V 2A        |

### Mechanical values and environment

|                               |                                                                                  |
|-------------------------------|----------------------------------------------------------------------------------|
| Actuating directions          | max. 2 max. 3 positions (0-1-2) possible per type and direction                  |
| Ambient temperature           | -5 ... +65 °C                                                                    |
| Connection                    | Screw terminal                                                                   |
| Degree of protection          | on the front with bellows IP65<br>(Version W)                                    |
| Material                      | Switching lever galvanized steel                                                 |
|                               | Housing thermoplastic/aluminum                                                   |
|                               | Contact Silver alloy                                                             |
|                               | Bellows elastomer, black<br>(Low PAH)                                            |
| Mechanical life               | 1 x 10 <sup>6</sup>                                                              |
| Mounting type                 | Panel cut-out depending on version X or W<br>(see panel cut-out drawing)         |
| Number of monitoring contacts | max. 4 4<br>(2 directions x 2 switching elements)                                |
| Switching principle           | Changeover contact C, IEC 947-5-1<br>(Snap-action contact element, design ES556) |

## Miscellaneous

|                    |                              |
|--------------------|------------------------------|
| Additional feature | Bellows W for panel mounting |
|                    | Locking in center position   |

## Contacts

🏠 EUCHNER GmbH + Co. KG  
Kohlhammerstraße 16  
70771 Leinfelden-Echterdingen

☎ +49 711 7597-0

📠 +49 711 753316

✉ info(at)euchner.de