
TK1-4131AB024M (ORDER NO. 099686)

Safety switch TK, locking pin right

- ▶ Mounting on plastic housing TP with actuating head and guard locking pin made of metal
- ▶ High locking forces of 5000 N
- ▶ Auxiliary release on the switch head
- ▶ Actuating element for contact separation on the front
- ▶ Cable entry M20 x 1.5



DESCRIPTION

Solenoid operating voltage

- ▶ AC/DC 24 V +10%, -15%

Guard locking type

TK1 Closed-circuit current principle, guard locking by spring force. Release by applying voltage to the guard locking solenoid.

Switching element

4131 Slow-action switching contact 2 NC(→) + 2 NO

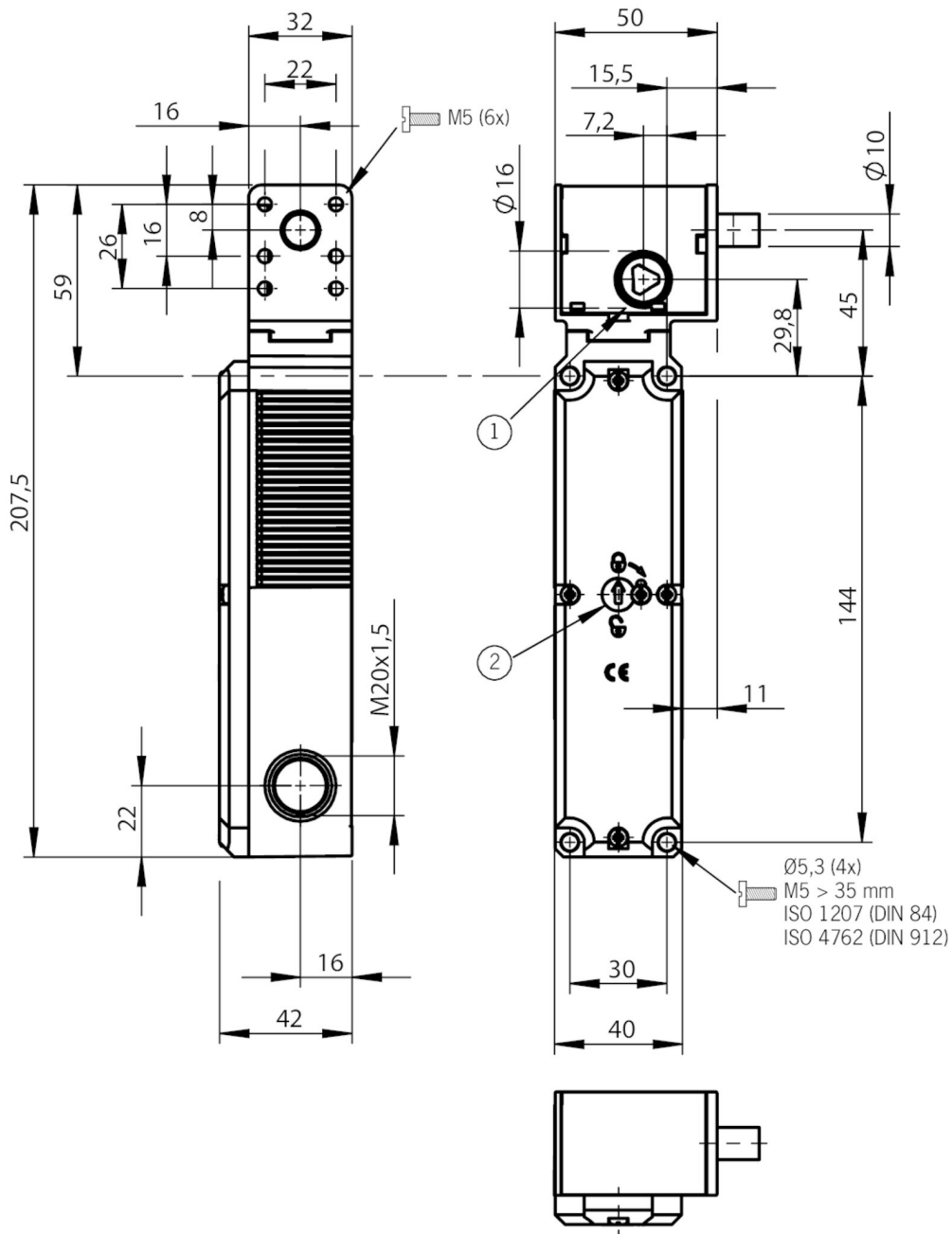
Auxiliary release

Is used for releasing the guard locking with the aid of a tool.

Contact separation

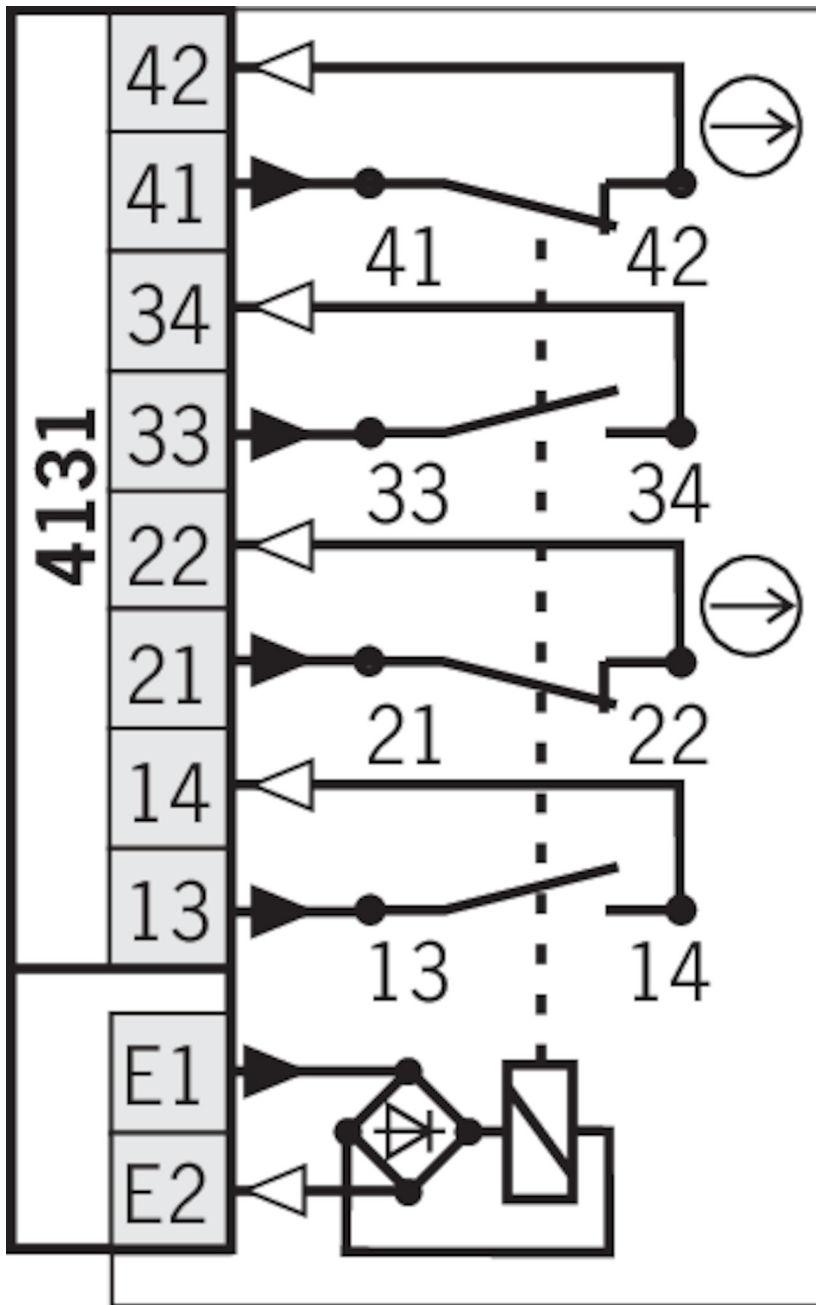
When actuated, positively driven contacts 41-42 are opened. Guard locking is not fully unlocked. The auxiliary release must be sealed to prevent tampering (e.g. with sealing lacquer).

Dimension drawing

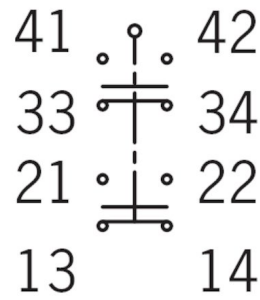
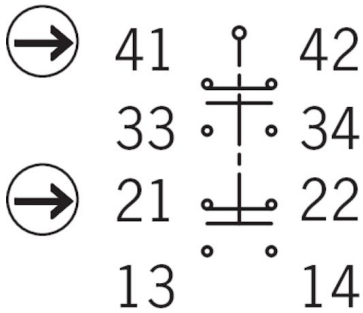
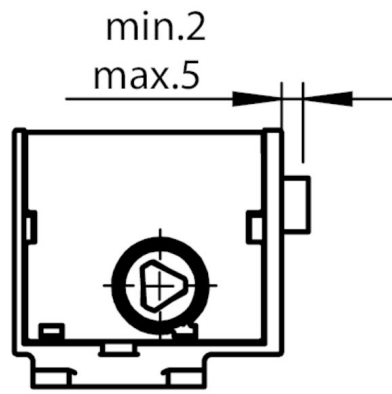
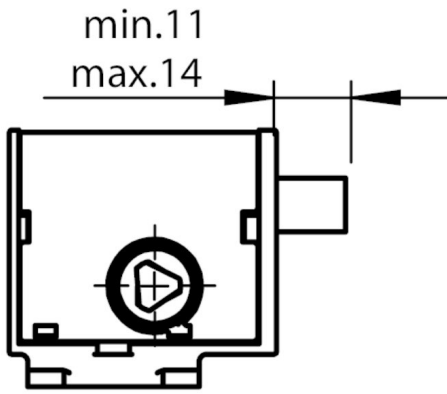


- 1 Auxiliary release on both sides
- 2 Contact separation

4131



Switching functions



4131

TECHNICAL DATA

Approvals



Mechanical values and environment

Housing material

Housing Reinforced thermoplastic

Weight

Net 0,6 kg

Ambient temperature

-20 ... 55 °C

Degree of protection

IP67

Mechanical life

1 x 10⁶

Contact material

Silver alloy, gold flashed

Switching principle

Slow-action switching contact

Installation orientation

Any

Number of door position positively driven contacts

2

Number of NO contacts

2

Connection

3 x M20 x 1.5

Actuation frequency

max.1200 1/h

Guard locking principle

Closed-circuit current principle

Locking force F_{max}

5000 N

Electrical connection ratings

Thermal rated current I_{th}	4 A
Utilization category according to EN 60947-5-1	
	AC-15 4A 230V
	DC-13 4A 24V
Solenoid operating voltage	
	AC/DC 24 V -15% ... +10%
Short circuit protection according to IEC 60269-1	4A gG
Rated insulation voltage U_i	250 V
Rated impulse withstand voltage U_{imp}	2,5 kV
Switching voltage	
	Min. at 10mA 12 V
Switching current	
	Min. at 24V 1 mA
Power consumption	8 W
Solenoid duty cycle	100 %
Connection cross-section	0,34 ... 1,5 mm ²

Reliability values according to EN ISO 13849-1

	Monitoring of guard locking
B10 _D	2 x 10 ⁶
	Control of the guard locking
Category	Depending on external control of guard locking
Performance Level	Depending on external control of guard locking
PFH _D	Depending on external control of guard locking

ACCESSORIES

Connection material

Cable glands M20x1.5, cable Ø 6-12 mm



086233
EKPM20/06 086233


Spare parts


Triangular key for safety switch TK





103057
DREIKANTSCHLUESSEL

Contacts

 EUCHNER GmbH + Co. KG
Kohlhammerstraße 16
70771 Leinfelden-Echterdingen

 +49 711 7597-0

 +49 711 753316

 [info\(at\)euchner.de](mailto:info(at)euchner.de)