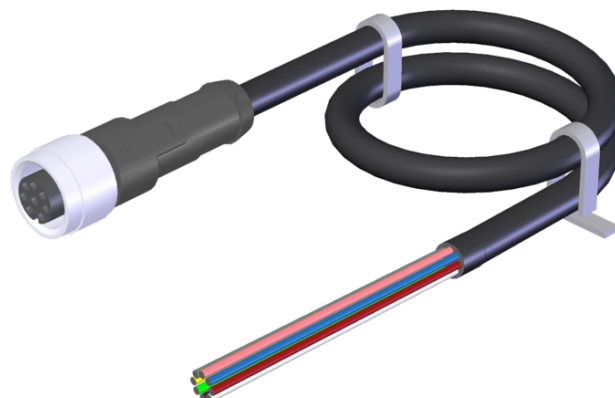


C-M12F08-08X025PV30,0-MA-115116 (ORDER NO. 115116)

Connecting cable with plug connector M12, 8-pin, 30 m

- ▶ M12 female plug, 8-pin
- ▶ Straight plug connector
- ▶ PVC cable
- ▶ Cable length 30 m
- ▶ With flying lead

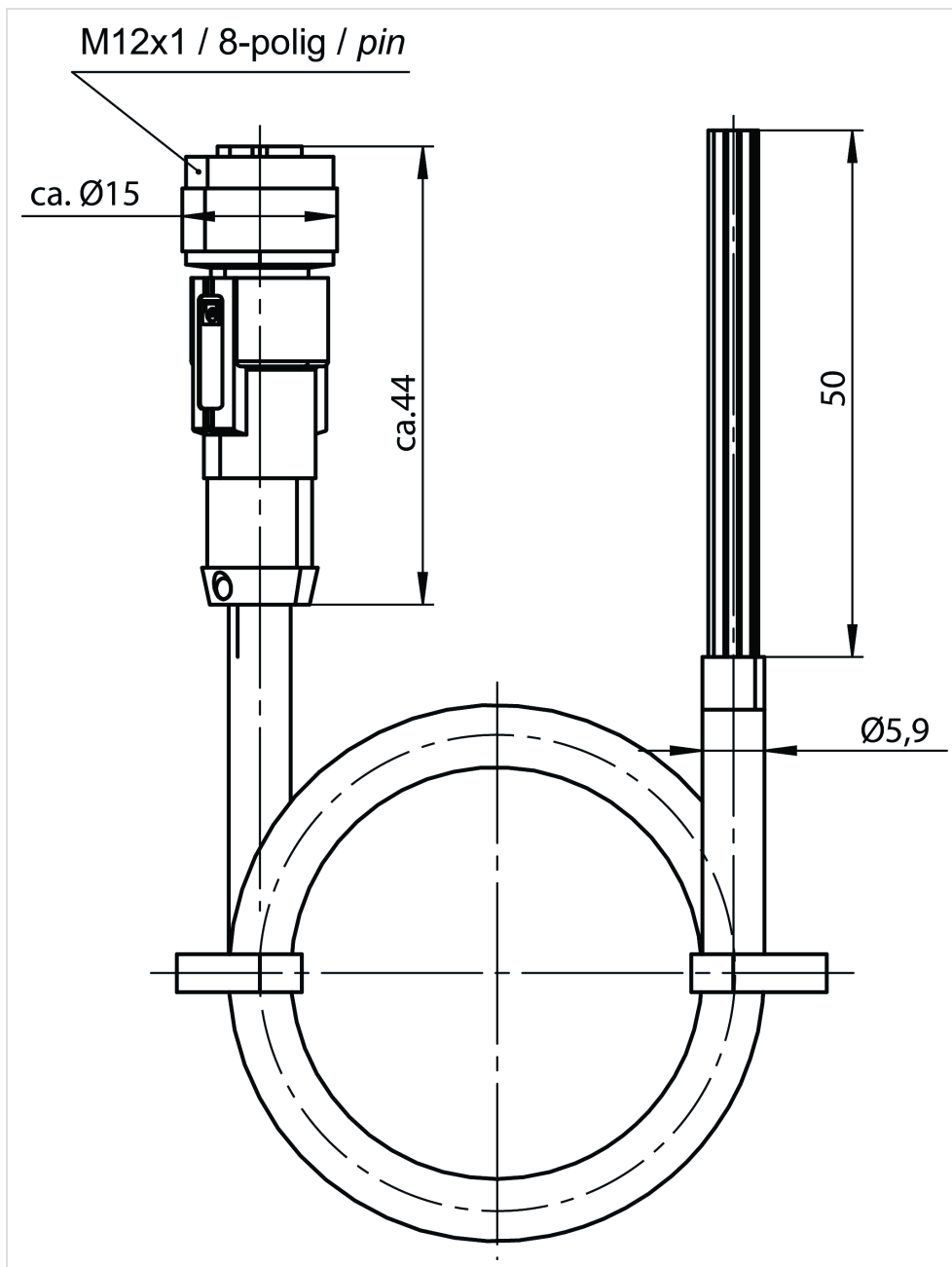


Description

Terminal assignment

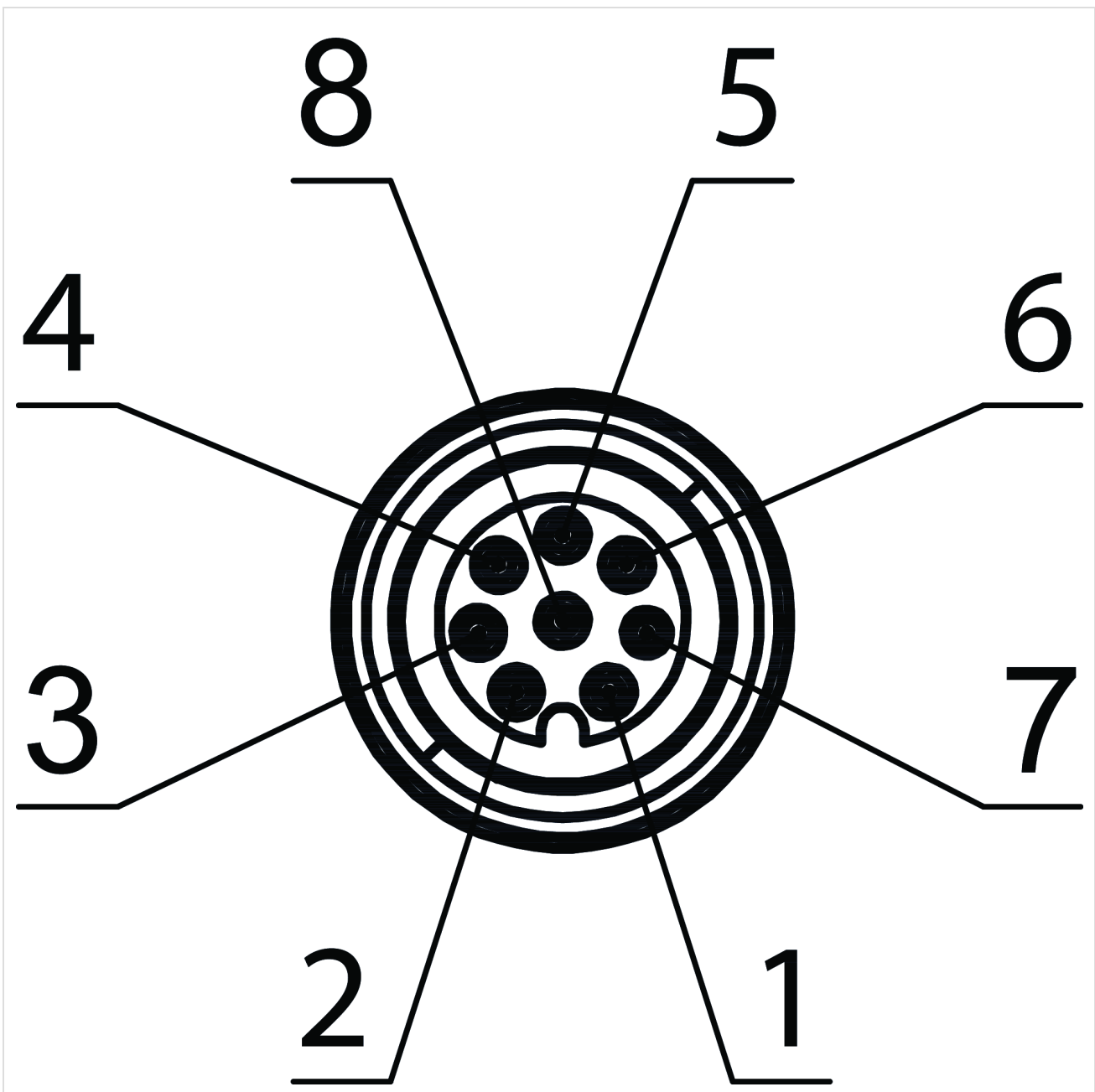
View of connection side	Pin	Conductor coloring
	1	WH
	2	BN
	3	GN
	4	YE
	5	GY
	6	PK
	7	BU
	8	RD

Dimension drawings



1 Cable socket M12x1 / 8-pin

Connection examples



Technical data

Approvals



Electrical connection ratings

Nominal current

at 25 °C 2 A

Overvoltage category according to IEC EN 60664-1	III
Rated surge voltage according to IEC 60664-1	800 V
Rated voltage	30 V
specific capacitance	107 mH/km
specific conductor resistance	78 Ω/km
specific inductance	0.51 mH/km
Connection 1	
Degree of contamination according to EN 60664-1	3

Mechanical values and environment

Cable ambient temperature (dynamic)	-5 ... +80 °C
Cable ambient temperature (static)	-25 ... +80 °C
Cable diameter	
	approx. 5.9 mm
Cable length	30 m
Cable type	straight
Conductor cross-section	0.25 mm ²
Conductor identification	Color code
Drag chain suitability	no
Dynamic bending radius	15 x cable diameter
Fire behavior	flame retardant according to UL-Style 2464
Material	
	Conductor Cu flexible wire bare
	Conductor insulation PVC
	Sheath PVC
Number of conductors	8
Sheath color	black
Static bending radius	5 x cable diameter
UV resistance	moderately UV resistant
	Connection 2
Conductor end	Sheath stripped
Connection	offenes Leitungsende
	Connection 1
Cable outlet	straight
Connection	Steckverbinder M12x1
Connection type	Female plug
Degree of protection	IP67 (im gesteckten Zustand)
Insertion cycles	100
Insulating material group	I
Material	
	Steckergehäuse TPU
	Steckerverriegelung CuZn, vernickelt
Number of pins	8
Plug lock	Screw connection
Tightening torque	0.5 Nm

Contacts

🏠 EUCHNER GmbH + Co. KG
Kohlhammerstraße 16
70771 Leinfelden-Echterdingen

📞 +49 711 7597-0

📠 +49 711 753316

✉ info(at)euchner.de

