
ES-XN4E-BL413MFRH (ORDER NO. 124713)

Emergency stop ES-XN installation devices 30 mm

- ▶ Button head red 44 mm ø
- ▶ Contact block monitoring
- ▶ Can be locked using padlock
- ▶ Reset by turning

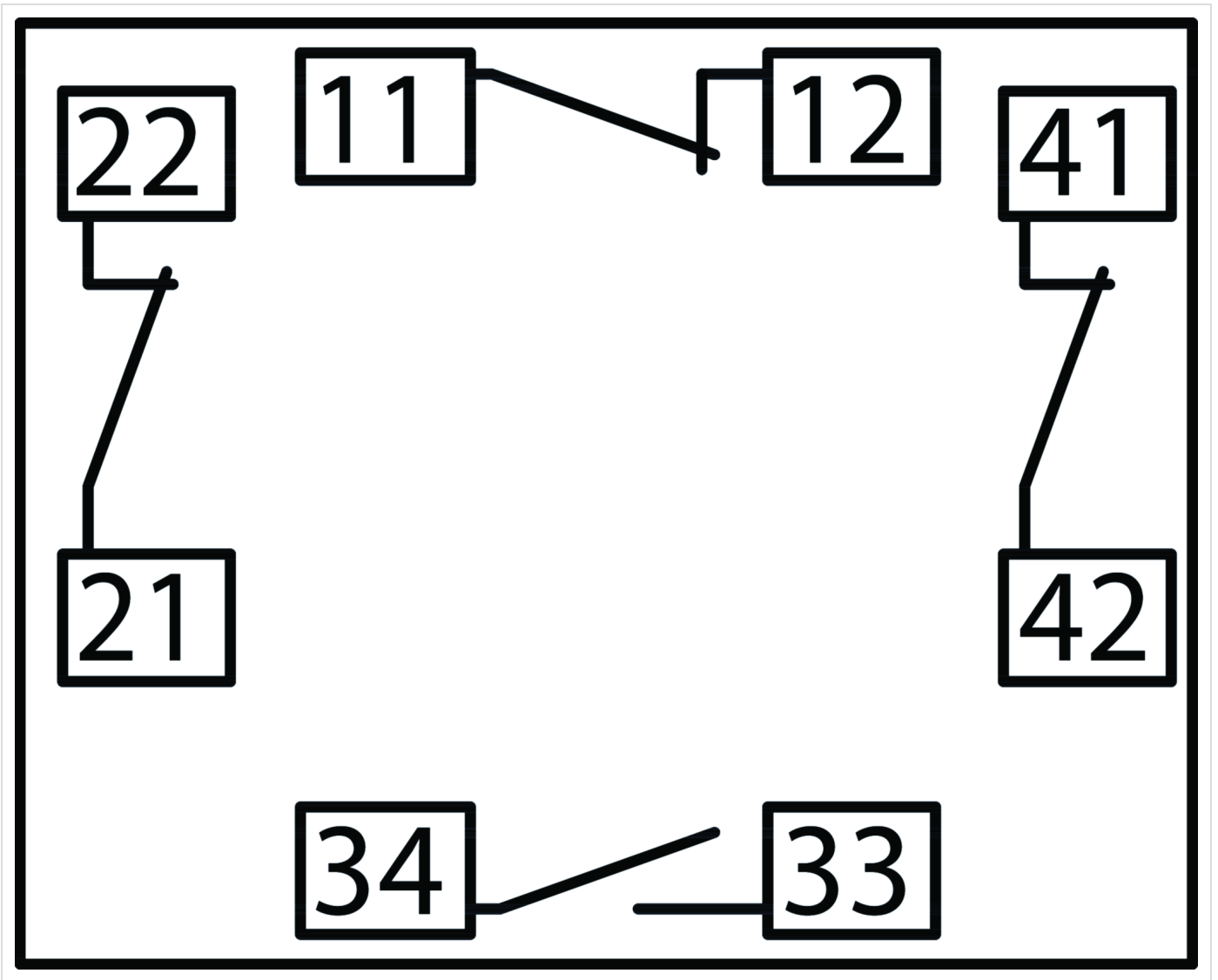


Description

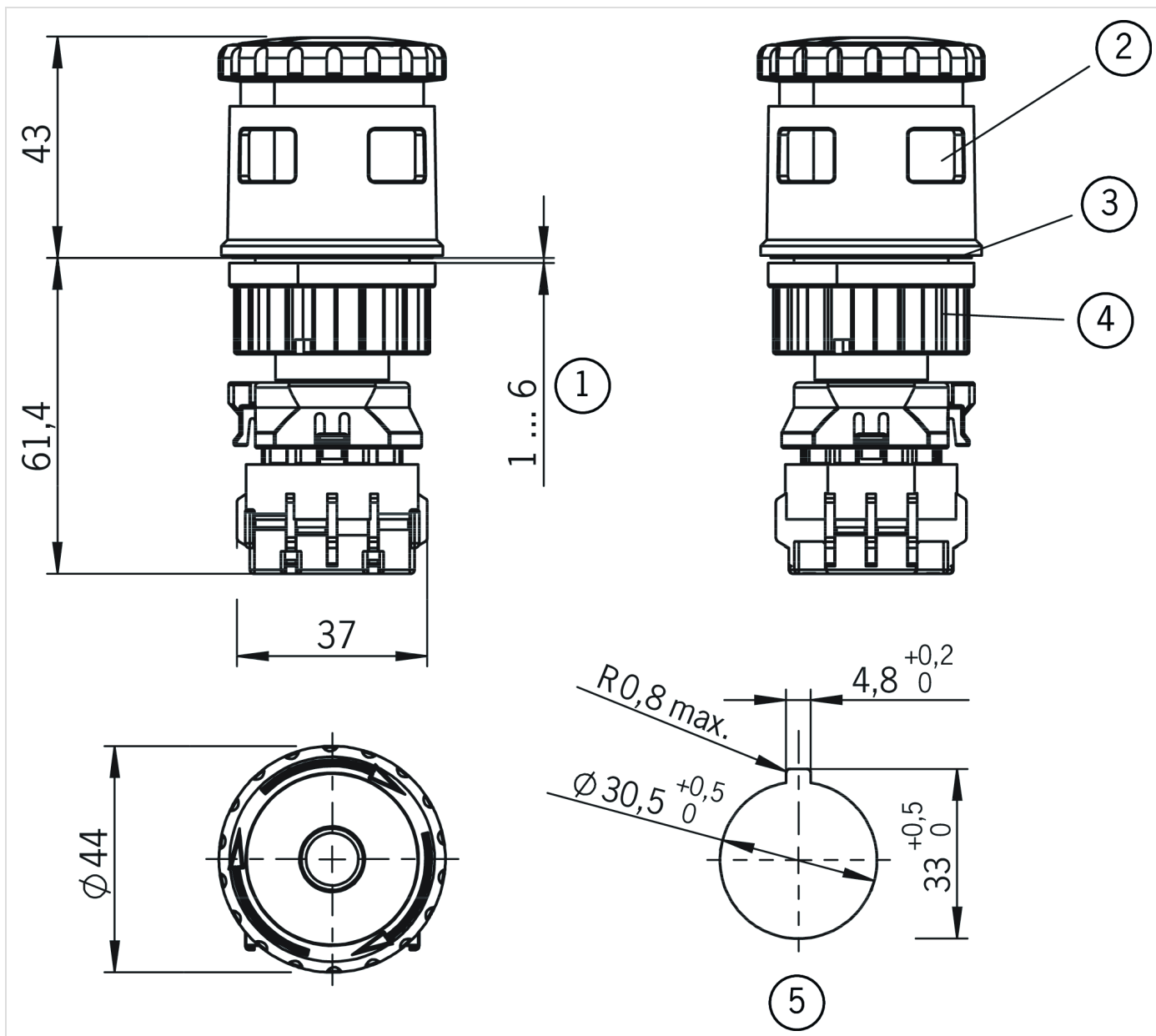
Switching element

- ▶ 3NC \ominus + 1 NO

Function drawings



Dimension drawings



- 1 Front panel thickness
- 2 Opening for padlock
- 3 Seal
- 4 Screw ring
- 5 Panel cut-out

Technical data

Approvals



Electrical connection ratings

Rated insulation voltage U_i	250 V
Switching current	
	min. at 24 V 10 mA
thermal rated current I_{th}	1 A
Utilization category	
	DC-13 Normally closed contact 1A 30V
	DC-14 Normally open contact 0.3 A 250 V
	AC-15 Normally closed contact 1.5 A 250 V

Mechanical values and environment

Ambient temperature	-25 ... +60 °C
Connection	Screw terminal
Degree of protection	IP20
Material	
	Pushbutton reinforced thermoplastic
	Contact Silver alloy, gold flashed
	Housing Polycarbonate
Mechanical life	0.25×10^6
Mounting type	IEC 947-5-1 D30
Number of NO contacts	1
Number of positively driven contacts	3

Reliability values according to EN ISO 13849-1

B10d	0.1×10^6
------	-------------------

Miscellaneous

Additional feature	
	Reset by turning
	Can be locked using padlock
	Button head \varnothing 44 mm
	Contact block monitoring
Color	
	Bottom part yellow
	Actuating button red

Accessories

Mounting accessories

Emergency stop plate – without inscription – for 40 mm buttons on ES-XN devices



157256
ES-HNAV-0

- ▶ Emergency stop plate – without inscription – for 40 mm buttons on ES-XN devices

Key for emergency stop ES-XN

106338
ES-XN9Z-T1

- ▶ Key for fastening the ring screw on ES-XN... devices

Plate for emergency stop ES-XN



106341
ES-HNAV-27

- ▶ Emergency stop plate for 40 mm buttons on ES-XN devices, with text: Emergency Stop

Contacts

🏠 EUCHNER GmbH + Co. KG
Kohlhammerstraße 16
70771 Leinfelden-Echterdingen

☎ +49 711 7597-0

📠 +49 711 753316

✉ [info\(at\)euchner.de](mailto:info(at)euchner.de)